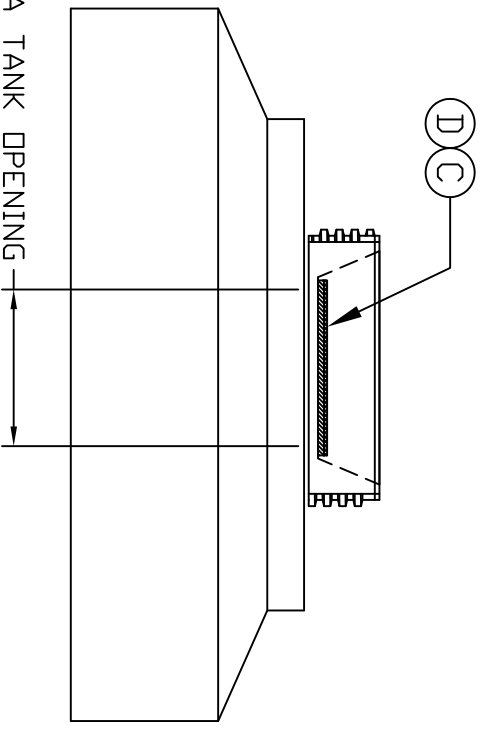
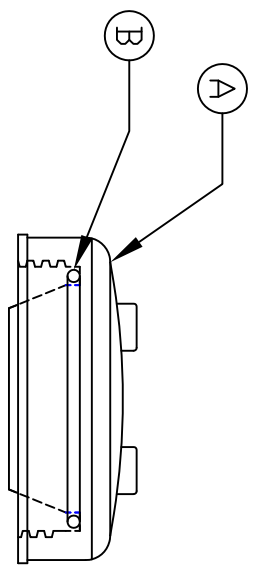
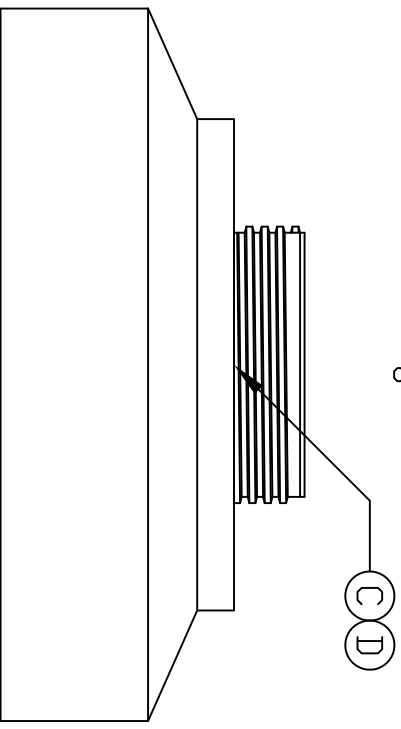
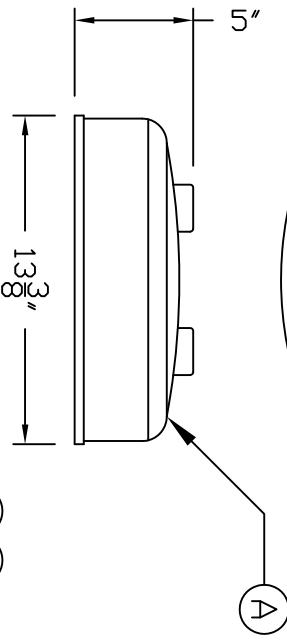
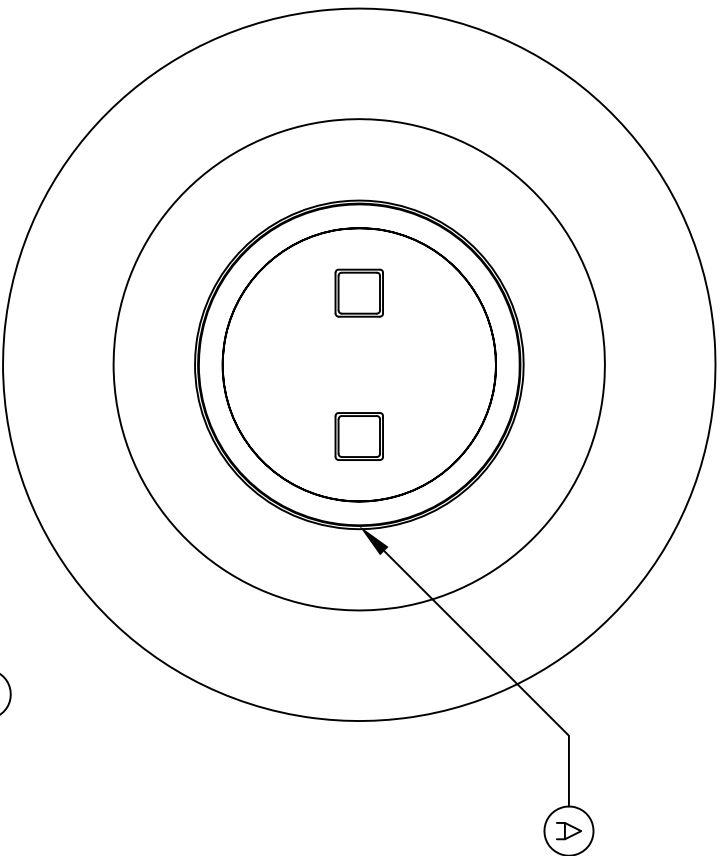


ACCESSORIES

MK	QTY	SIZE	DESCRIPTION
A	1	-	LINEAR POLYETHYLENE MOLDED TANK CAP, BLACK 4 LB LID WEIGHT, MOLDED TO FIT 12" SCREW CAP THREADS
B	1	-	1/2" DIA X 10" D-RING GASKET (EPDM STD)
C	1	-	7 1/8" DIA X 1/4" THICK XLPE FDM GASKET
D	1	-	7 1/8" DIA X 1/8" THICK PE SEAL PLATE



6 3/8" DIA TANK OPENING

- NOTES:
- 1 LID DESIGNED FOR FUME TIGHT SEAL APPLICATIONS
 - 2 LID AVAILABLE ON TANKS UP TO 3000 GALLONS.
 - 3 LARGEST CONNECTION THAT CAN BE USED WITH LID IS 3" BHF

REV	DESCRIPTION	REV DATE
A	CHANGED OPENING FROM 6" TO 6 3/8"	8/6/13 SR

SALES ORDER	REV DATE
BRANN, JR. SRDVLISDN	7/11/11
DWG NUMBER	REV
PECAP11	A

 ASSMANN CORPORATION 300 N TAYLOR ROAD GARRETT, IN 46738 PHONE: (660) 357-3181 FAX: (660) 357-3798	 CORPORATION OF AMERICA 300 N TAYLOR ROAD GARRETT, IN 46738 PHONE: (660) 357-3181 FAX: (660) 357-3798
---	--