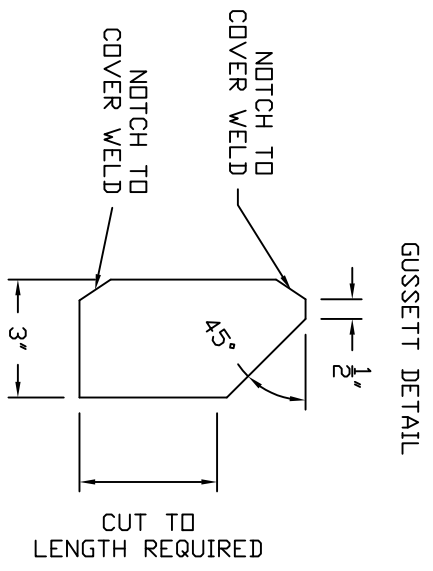
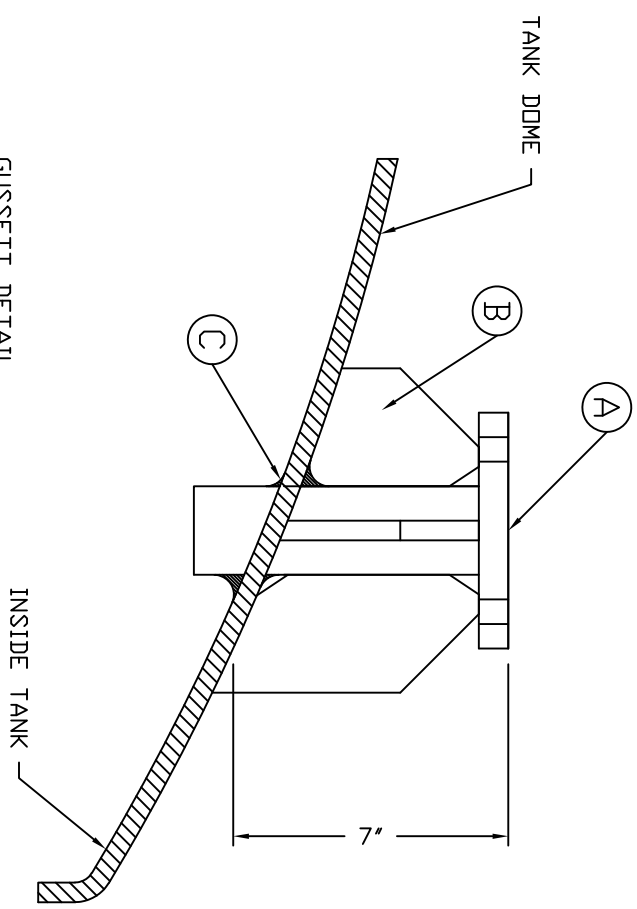
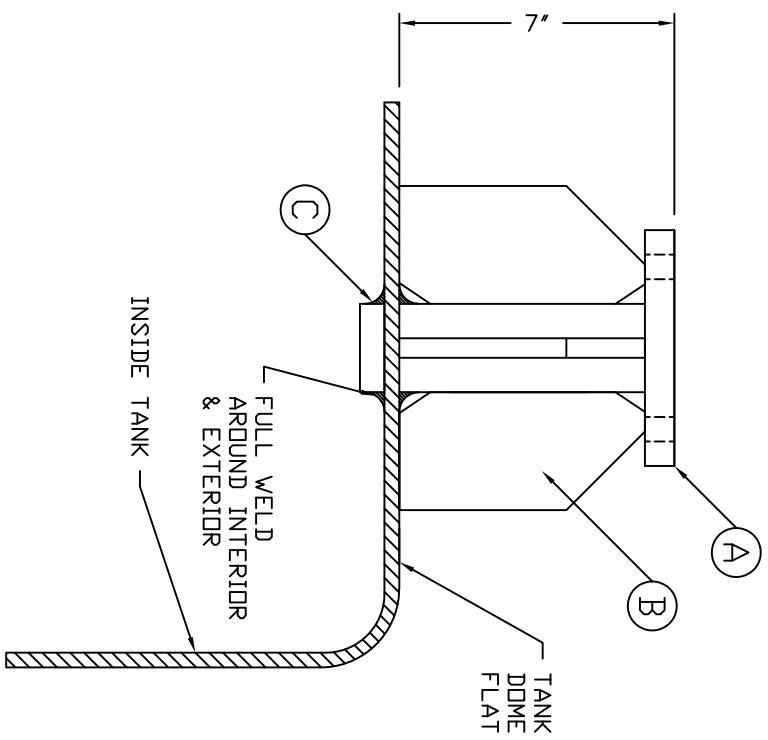


ACCESSORIES		DESCRIPTION
MK	QTY	SIZE
A	1	-
B	4	-
C	1	-
		POLYETHYLENE STUB END FLANGE
		POLYETHYLENE GUSSETT
		POLYETHYLENE WELD



NOTES:
 1) FLEXIBLE EXPANSION JOINTS MUST BE USED
 ON ALL WELDED CONNECTIONS.

REV	DESCRIPTION	REV DATE
A	REVISED GUSSET SIZES	3/2/17 SR

SALES ORDER		REV DATE
 Lomaqua CORPORATION OF AMERICA		3/2/17 SR
300 N TAYLOR ROAD GARRETT, IN 46738 PHONE: (260) 357-3181 FAX: (260) 357-3738		1/27/00
TITLE POLYETHYLENE WELDED AND GUSSETTED FLANGE CONNECTION		DWG NUMBER: PE FLG A