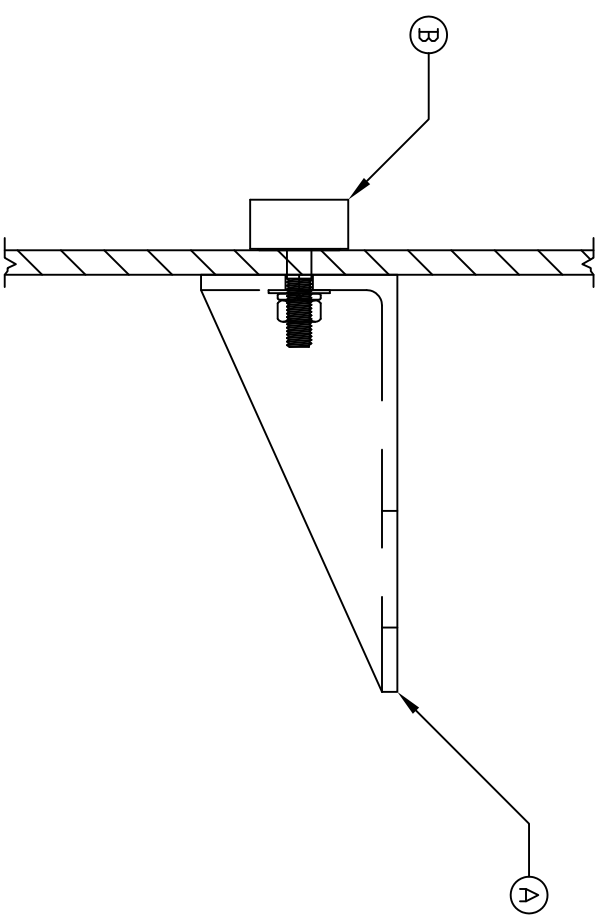
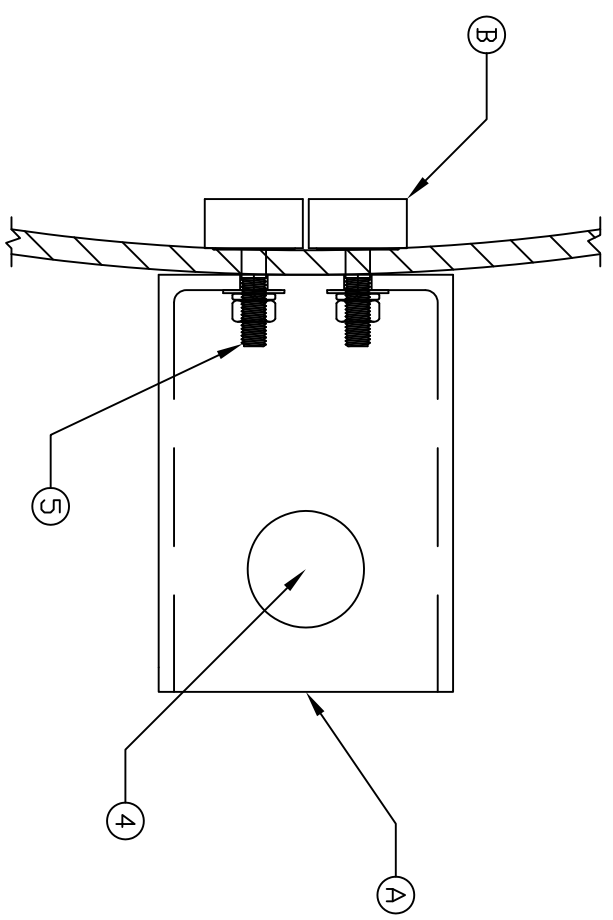


ACCESSORIES		
MK	QTY	SIZE DESCRIPTION
A	1	- POLYETHYLENE PIPE SUPPORT BRACKET / LINEAR PE
B	2	- RUBBER ENCAPSULATED BOLT (DONKER BOLTS)



NOTES:
 1 DONKER BOLT MATERIALS:
 STAINLESS STEEL WITH EPDM ENCAPSULATION
 STAINLESS STEEL WITH VITON ENCAPSULATION
 TITANIUM WITH EPDM ENCAPSULATION
 TITANIUM WITH VITON ENCAPSULATION
 HASTELLOY C-276 WITH EPDM ENCAPSULATION
 HASTELLOY C-276 WITH VITON ENCAPSULATION

2 POLYETHYLENE PIPE SUPPORT BRACKETS FOR PIPE SIZES 1" THROUGH 3" ARE ROTATIONALLY MOLDED (SHOWND)

3 POLYETHYLENE PIPE SUPPORT BRACKETS 4" THROUGH 12" SIZE ARE FABRICATED FROM 1/2" THICK SHEET

4 HOLE SIZE IN BRACKET CAN BE SPECIFIED WHEN ORDERING, OR DRILLED BY CUSTOMER ON SITE

5 TANK SIZE MUST BE SPECIFIED WHEN ORDERING SD DONKER BOLT LENGTH CAN BE SIZED ACCORDINGLY

REV	REVISION DESCRIPTION	REV DATE
SALES ORDER		
300 N TAYLOR ROAD GARRETT, IN 46738 PHONE (260) 357-3181 FAX (260) 357-3738		
BRAUN, JR. SR/DVL/LS/DN		
11/26/13		
DVG NUMBER:		
P S B		
REV		
TITLE POLYETHYLENE PIPE SUPPORT BRACKET		