

MATERIALS:

PLASTICS:

PVC CPVC

METALLIC'S:

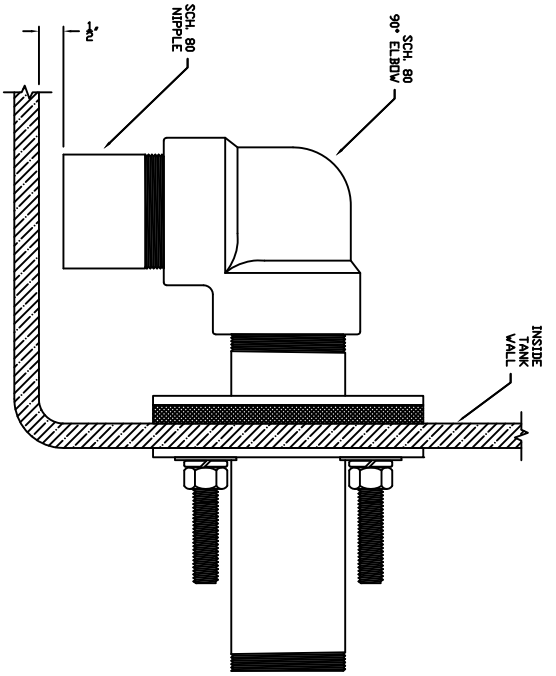
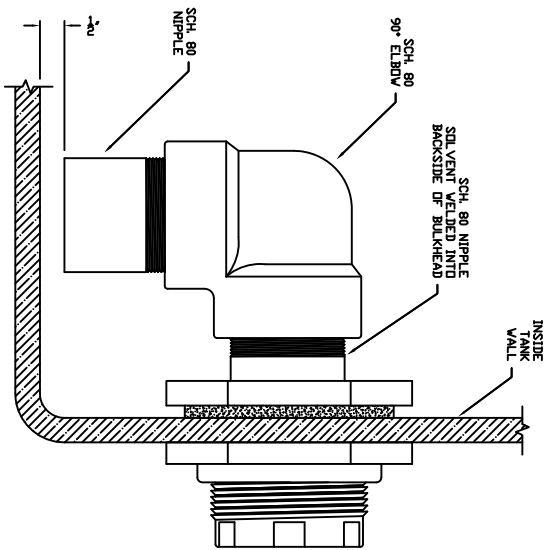
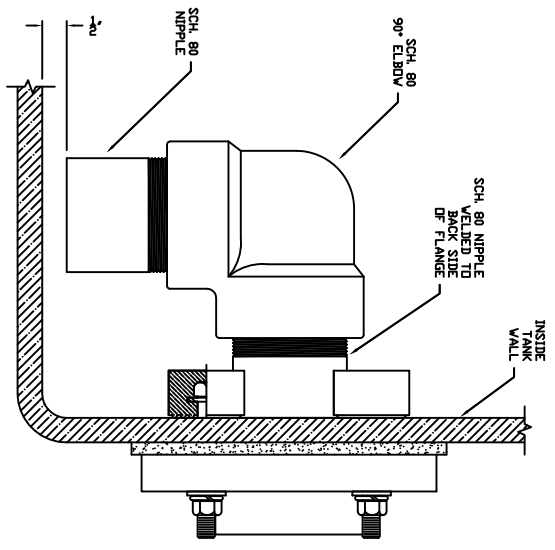
316 STAINLESS STEEL HASTELLOY TITANIUM

GASKET MATERIAL:

E.P.D.M. VITON XLPE BUNA GORTEX

MOLDED ENCAPSULATED BOLT HEAD:

E.P.D.M. & VITON ONLY



REV	REVISION DESCRIPTION	REV DATE

**Ica Assmann**  
CORPORATION OF AMERICA  
300 N TAYLOR ROAD  
GARRETT, IN 46738  
PHONE: (260) 357-3181  
FAX: (260) 357-3738

TITLE: SIPHON DRAIN ADDED TO ALL ASSMANN FITTING  
DRAWN BY: [blank]  
DRAWN DATE: 6/08/93  
DWG NUMBER: SDO01  
REV: -