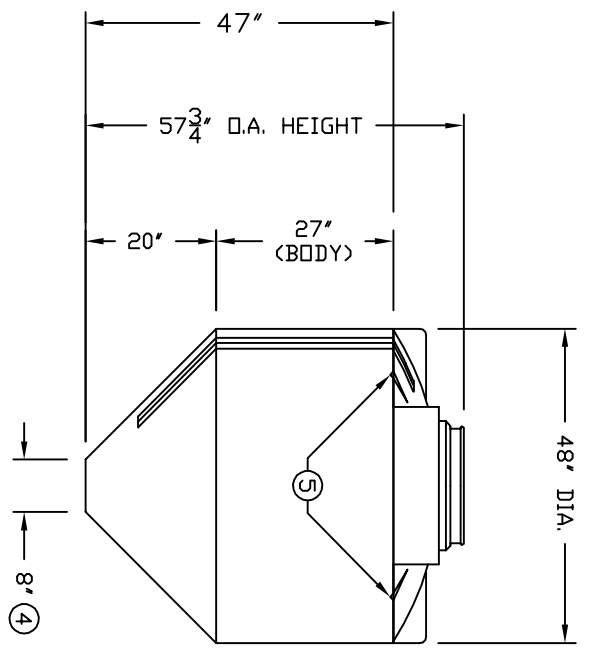
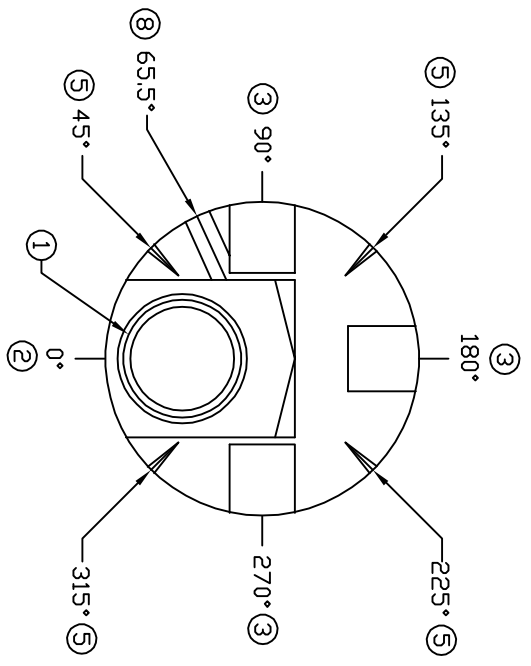


ACCESSORIES					
MK	SIZE	DESCRIPTION	DEG	ELEV	DOME
A	16'	MANWAY W/ LEVER LOCKING COVER	0°	-	X



NOTES:

1. 16' MANWAY WITH LEVER LOCKING COVER
2. 24" X 29" MANWAY FLAT SPOT
3. 10" X 10" DOME FLAT SPOT (3 PLACES)
4. CONE FITTING FLAT 8" DIA.
5. MOLDED IN THE DOWN GROOVES (4 PLACES)
6. 7.67 GALLONS PER INCH (STRAIGHT SIDE)
7. 51.13 GAL CONE CAPACITY (FOR REF ONLY)
8. MOLDED IN VOLUME MARKER (25 GAL. INCREMENTS)

REV	REVISION DESCRIPTION	REV DATE

		300 N TAYLOR ROAD GARRETT, IN 47738 PHONE: (560) 357-3181 FAX: (560) 357-3738	
TITLE ICB 250 GALLON CONICAL BOTTOM STORAGE TANK		RESIN USED - POLYETHYLENE TANK RESISTED SPECIFIC GRAVITY - SP.G. MAX	
DESIGNED BY D. PARRETT DATE 8/26/14		TANK WEIGHT - TANK CAPACITY - LBS.	
MANUFACTURED BY ASSMANN CORPORATION		DWG NUMBER ICB 250 REV -	

ALL DIMENSIONS ARE IN INCHES AND ARE ±3%