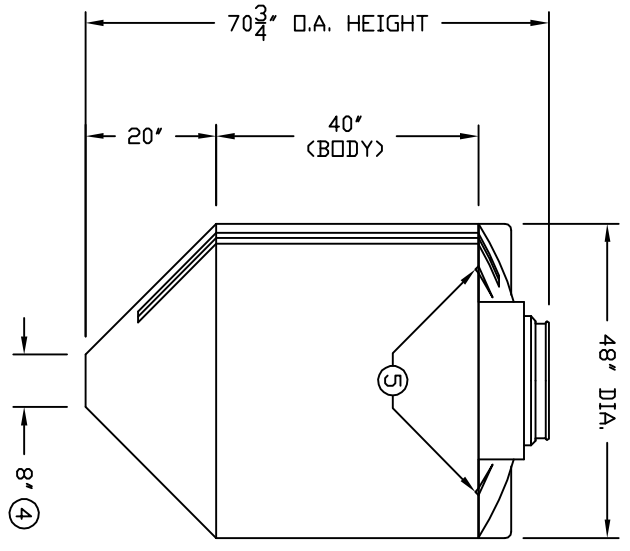
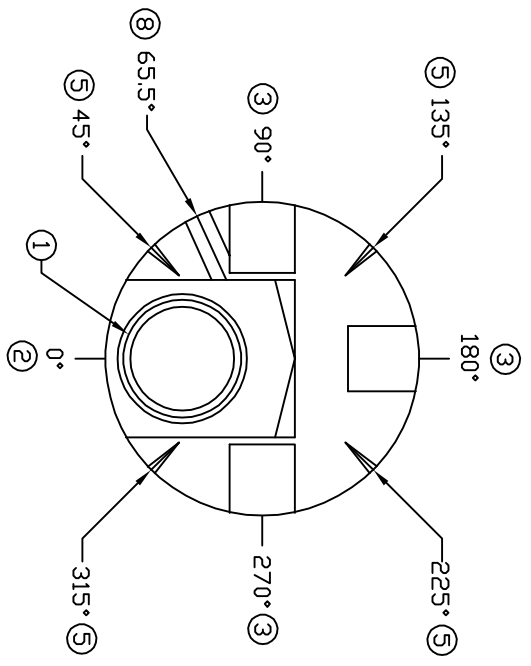


ACCESSORIES					
MK	SIZE	DESCRIPTION	DEG	ELEV	DOME
A	16'	MANWAY W/ LEVER LOCKING COVER	0°	-	X



- NOTES:
1. 16' MANWAY WITH LEVER LOCKING COVER
  2. 24" X 29" MANWAY FLAT SPOT
  3. 10" X 10" DOME FLAT SPOT (3 PLACES)
  4. CONE FITTING FLAT 8" DIA.
  5. MOLDED IN THE DOWN GROOVES (4 PLACES)
  6. 7.67 GALLONS PER INCH (STRAIGHT SIDE)
  7. 51.13 GAL CONE CAPACITY ( FOR REF ONLY)
  8. MOLDED IN VOLUME MARKER (25 GAL. INCREMENTS)

REV	REVISION DESCRIPTION	REV DATE

	300 N TAYLOR ROAD GARRETT, IN 47238 PHONE (560) 357-3181 FAX (560) 357-3738	RESIN USED POLYETHYLENE TANK DESIGNATED SPECIFIC GRAVITY - SP.G. MAX
TITLE <b>ICB 350 GALLON CONICAL          BOTTOM STORAGE TANK</b>	DRAWN BY D. PARRETT	TANK WEIGHT - LBS. DIVG NUMBER <b>ICB 350</b>
ASSMANN CORPORATION	8/26/14	REV

ALL DIMENSIONS ARE IN INCHES AND ARE ±3%