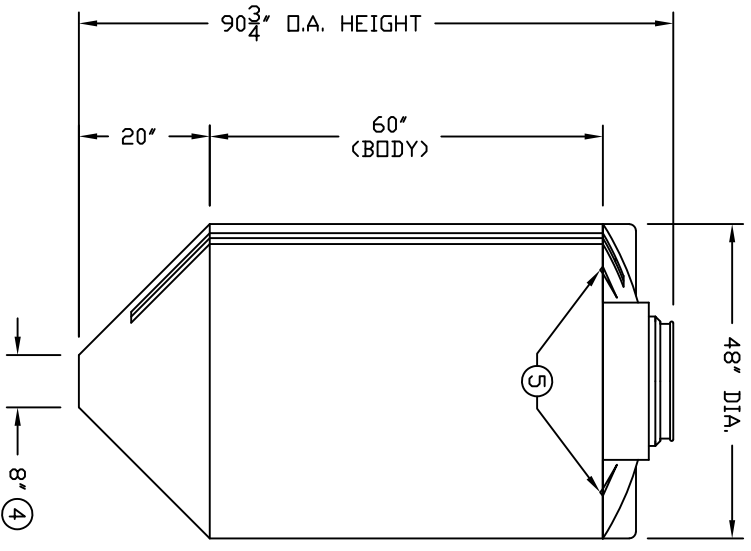
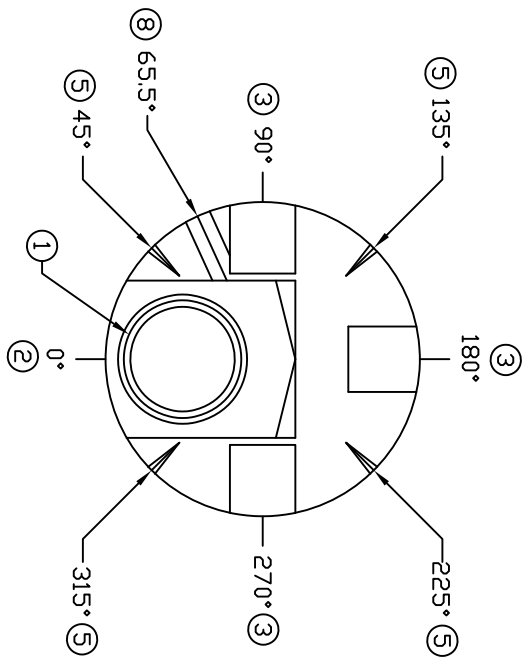


ACCESSORIES

MK	SIZE	DESCRIPTION	DEG	ELEV	DOME
A	16'	MANWAY W/ LEVER LOCKING COVER	0°	-	X



NOTES:

1. 16' MANWAY WITH LEVER LOCKING COVER
2. 24" X 29" MANWAY FLAT SPDT
3. 10" X 10" DOME FLAT SPDT (3 PLACES)
4. CONE FITTING FLAT 8" DIA.
5. MOLDED IN THE DOWN GROOVES (4 PLACES)
6. 7.67 GALLONS PER INCH (STRAIGHT SIDE)
7. 51.13 GAL CONE CAPACITY ( FOR REF ONLY)
8. MOLDED IN VOLUME MARKER (25 GAL. INCREMENTS)

REV	REVISION DESCRIPTION	REV DATE

**ICB 500**  
 CORPORATION OF AMERICA  
 300 N TAYLOR ROAD  
 GARRETT, IN 46728  
 PHONE: (260) 357-3181  
 FAX: (260) 357-3739

TITLE ICB 500 GALLON CONICAL  
 BOTTOM STORAGE TANK  
 POLYETHYLENE  
 SP.G. MAX

DESIGNED BY D. PARRETT  
 DRAWN DATE 8/26/14  
 CUSTOMER ASSMANN CORPORATION  
 TANK ORDER -  
 WEIGHT - LBS.  
 DWG NUMBER ICB 500  
 REV -

ALL DIMENSIONS ARE IN INCHES AND ARE ±3%