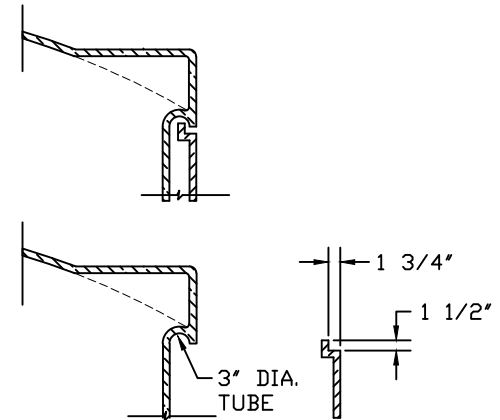
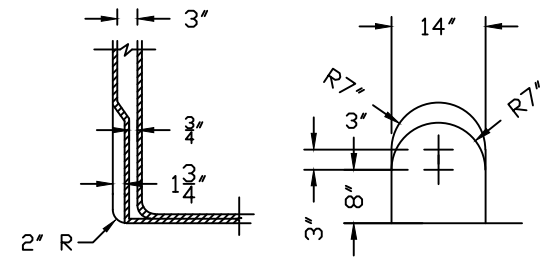


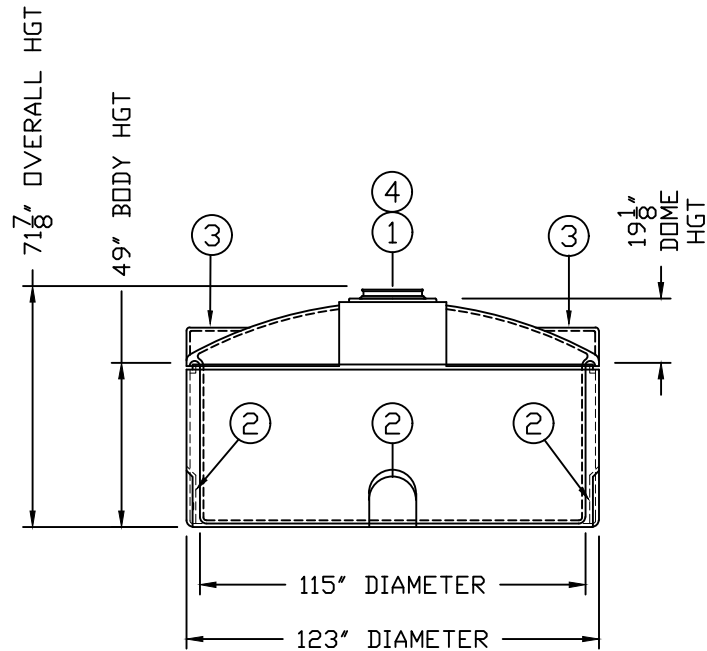
		ACCESSORIES			
MK	SIZE	DESCRIPTION	DEG	ELEV	DDME
A	16"	MANWAY W/ LEVER LOCK COVER	0°	-	X



LIP DETAIL



LOWER FLAT SPOT DTL.



NOTES:

- 1 16" MANWAY WITH LEVER LOCK COVER
- 2 LOWER FLAT SPOT (4 PLACES)
- 3 14" X 14" DOME FLAT SPOT (3 PLACES)
- 4 MANWAY FLAT
- 5 LIFTING LUG ASSEMBLY (4 PLACES)

B	ADJUST MANWAY DIMENSIONS	1/28/22 RH
A	ADJUST LOWER FTG FLAT DETAIL	01/14/21 JL
REV	REVISION DESCRIPTION	REV DATE

		300 N TAYLOR ROAD GARRETT, IN 46738 PHONE: (260) 357-3181 FAX: (260) 357-3738		CUSTOMER APPROVAL	
PRIMARY VESSEL		SECONDARY VESSEL		OVERALL TANK WEIGHT LBS.	
SPECIFIC GRAVITY - SP.G. MAX RESIN USED: TANK WEIGHT LBS. TANK COLOR -	POLYETHYLENE		SPECIFIC GRAVITY - SP.G. MAX RESIN USED: TANK WEIGHT LBS. TANK COLOR -	POLYETHYLENE	
TITLE IMT 2100 GAL. DOUBLE WALL STORAGE TANK ASSMANN CORPORATION			DRAWN BY: SROWLISON DWG NUMBER: IMT 2100		DRAWN DATE: 10/29/2020 REV B
ALL DIMENSIONS ARE IN INCHES AND ARE ±3%					