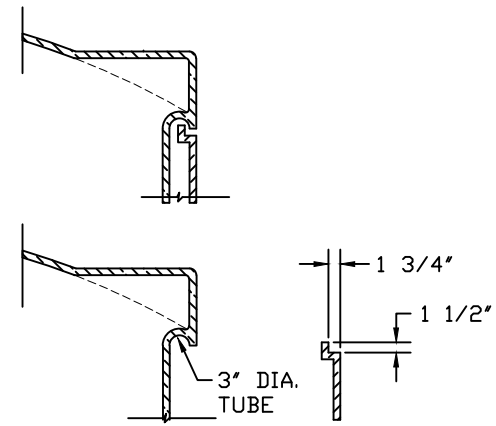
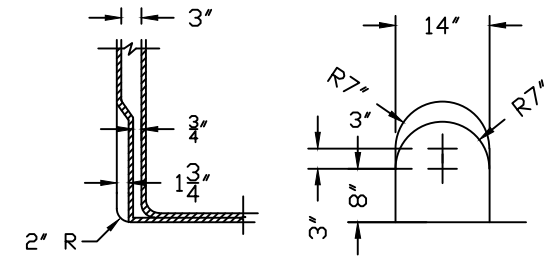


		ACCESSORIES			
MK	SIZE	DESCRIPTION	DEG	ELEV	DDME
A	16"	MANWAY W/ LEVER LOCK COVER	0°	-	X



LIP DETAIL



LOWER FLAT SPOT DTL.

- NOTES:
- 16" MANWAY WITH LEVER LOCK COVER
 - LOWER FLAT SPOT (4 PLACES)
 - 14" X 14" DOME FLAT SPOT (3 PLACES)
 - MANWAY FLAT
 - LIFTING LUG ASSEMBLY (4 PLACES)

REV	REVISION DESCRIPTION	REV DATE
C	ADJUST MANWAY DIMENSIONS	1/28/22 RH
B	ADJUST LOWER FTG FLAT DETAIL	01/14/21 JL
A	ADDED ALIGNMENT POCKETS (NO GROOVES) 4 PLACES	10/27/2020 SR

		300 N TAYLOR ROAD GARRETT, IN 46738 PHONE: (260) 357-3181 FAX: (260) 357-3738		CUSTOMER APPROVAL	
				OVERALL TANK WEIGHT LBS.	
PRIMARY VESSEL	SPECIFIC GRAVITY - SP.G. MAX	SECONDARY VESSEL	SPECIFIC GRAVITY - SP.G. MAX		
RESIN USED: - POLYETHYLENE	TANK WEIGHT LBS. TANK COLOR -	RESIN USED: - POLYETHYLENE	TANK WEIGHT LBS. TANK COLOR -		
TITLE: IMT 4400 GAL. DOUBLE WALL STORAGE TANK			DRAWN BY: SROWLISON		DRAWN DATE: 7/23/2020
ASSMANN CORPORATION			DWG NUMBER: IMT 4400		REV: C
ALL DIMENSIONS ARE IN INCHES AND ARE ±3%					